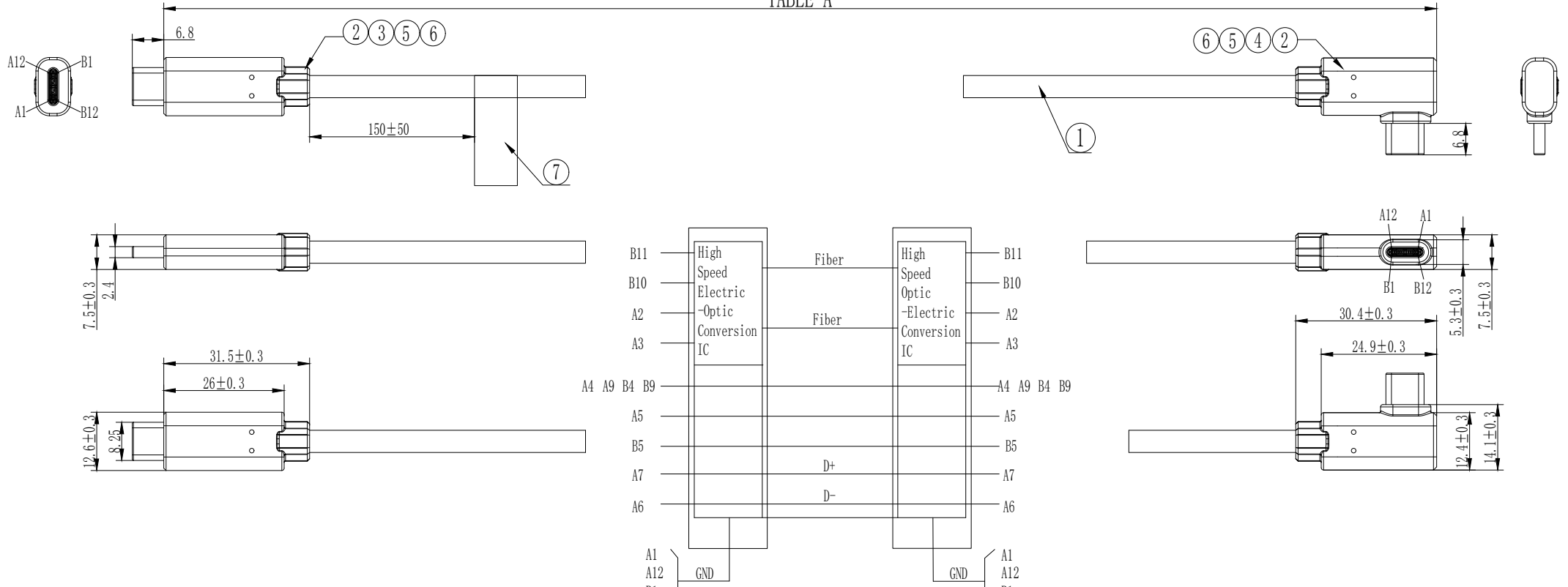


7	REV	DESCRIPTION	SIGNATURE	DATE
8	AO	ORIGIN	Xiong Chi	2025.07.26

TABLE A



- NOTES:
- 1.Support USB 3.1 Gen 2 10Gbps Data transmission ;
  - 2.Backwards USB 2.0 & USB 1.1 ;
  - 3.Support PD 60W (20V 3A) Power Delivery;

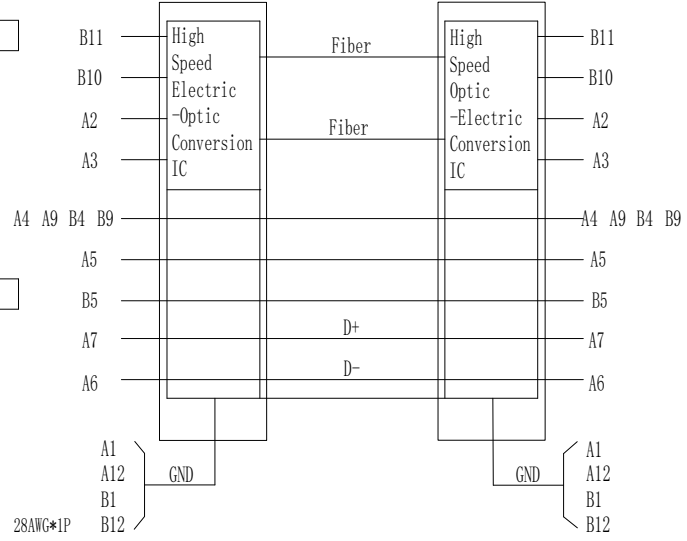
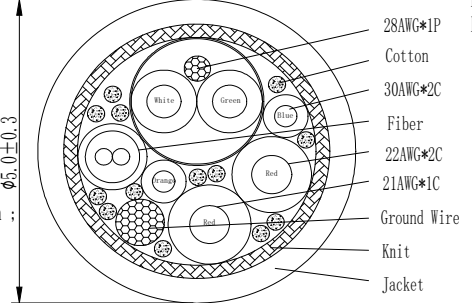


TABLE A

P/N	Model No	Customer P/N:	Length(mm)
	SCRA-3120-005		5000+/-200
	SCRA-3120-007		7000+/-200
	SCRA-3120-009		9000+/-200

ITEM	SPECIFICATIONS	Q'TY	UNIT
7	QR code	1	PCS
6	Overmold(80P Black PVC)		
5	Inner mold(Transparent LDPE)		
4	USB Type C Bend PCBA	1	PCS
3	USB Type C PCBA	1	PCS
2	USB Type C A male nickel plating	2	PCS
1	USB C AOC (2 Fiber+5 Copper) Black PVC OD5.0MM	TABLE A	mm

TOLERANCES UNLESS OTHERWISE STATED	
X.	=±1
X.X	=±0.25
X.XX	=±0.1
TOOLING DECIMALS ANGLES	
X.	±0.3±1°
X.X	±0.2±0.5°
X.XX	±0.1±0.5°

**E-Like Industrial (Hong Kong) Limited**

TYPE: TYPE:USB3.1 90° Type C-C Active Optical Cable backward compatible

DRAW: PART NO: SCRA-3120-XXX-S159M-T/S159M-R

CKD: CUSTOMER: UNIT:mm

APP: DWG NO: REV:A0

SHEET:1/1 DATE:2025.07.26