

REV	DESCRIPTION	SIGNATURE	DATE
A0	ORIGIN	Zhou Hao Yu	2024.01.05

TABLE A

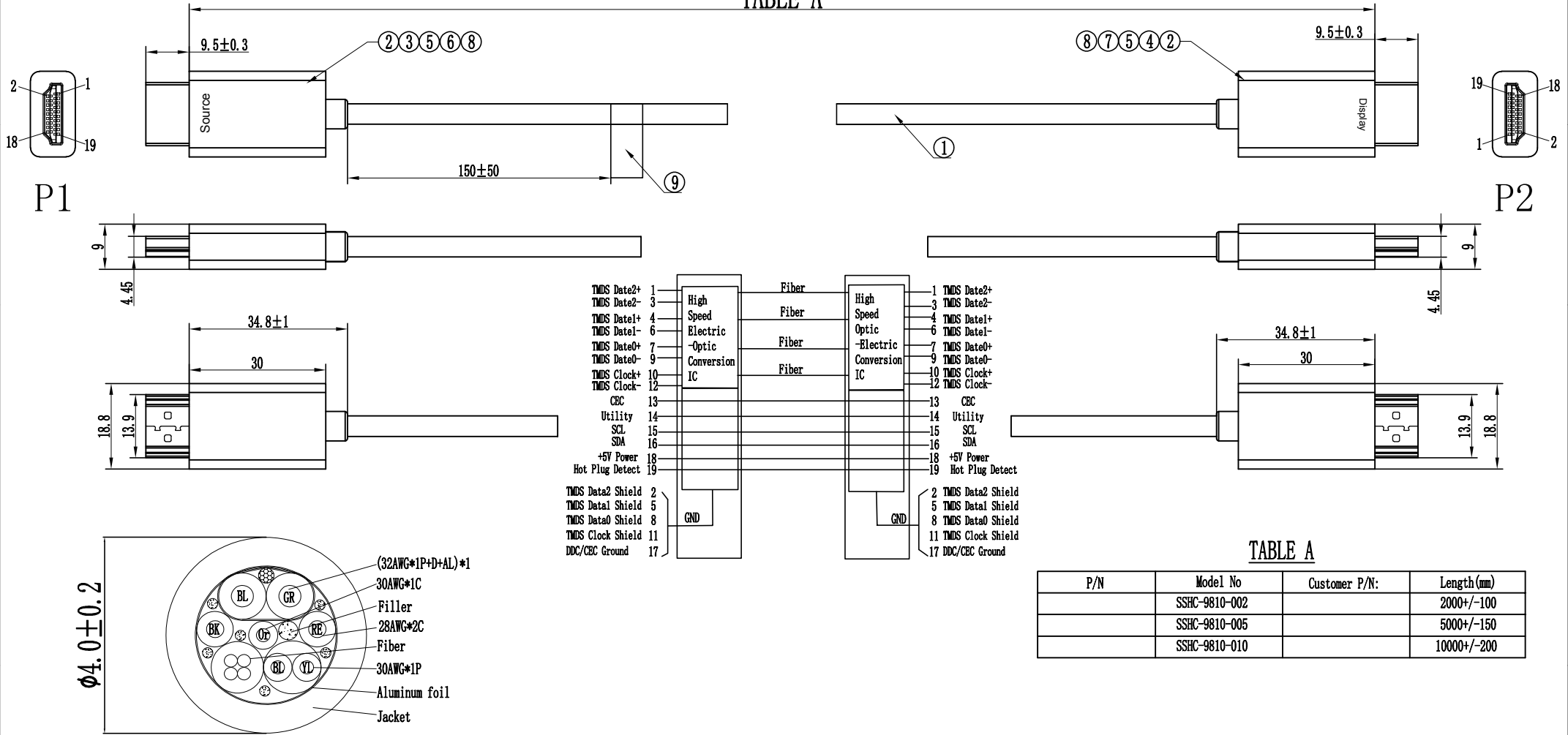


TABLE A

P/N	Model No	Customer P/N:	Length(mm)
	SSHC-9810-002		2000+/-100
	SSHC-9810-005		5000+/-150
	SSHC-9810-010		10000+/-200

9	QR Code	1	PCS
8	HDMI aluminum ABS tail plug Black	2	PCS
7	HDMI A male shell (Bottom) Grey (Display)	1	PCS
6	HDMI A male shell (Bottom) Grey (Source)	1	PCS
5	HDMI aluminum ABS front plug Black	2	PCS
4	HDMI A PCBA (Display)	1	PCS
3	HDMI A PCBA (Source)	1	PCS
2	HDMI A male Plug Gold-Plated	2	PCS
1	HDMI AOC (4 Fiber+7 Copper) Black PVC OD:4.0MM	TABLE A	mm
ITEM	SPECIFICATIONS	Q'TY	UNIT

	TOLERANCES UNLESS OTHERWISE STATED
X	=±1
X.X	=±0.25
X.X.X	=±0.1
	TOOLING DECIMALS ANGLES
X	±0.3±1°
X.X	±0.2±0.5°
X.XX	±0.1±0.5°

**E-Like Industrial (Hong Kong) Limited**

TYPE: Super Slim HDMI 2.1 A-A Active Optical Cable

DRAW:	PART NO: SSHC-9810-XXX
CKD:	CUSTOMER: UNIT: mm
APP:	DWG NO: REV: A0
SHEET: 1/1	DATE: 2023.01.05