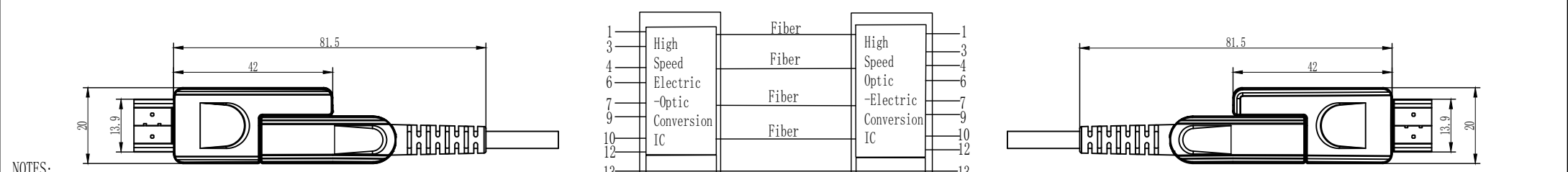
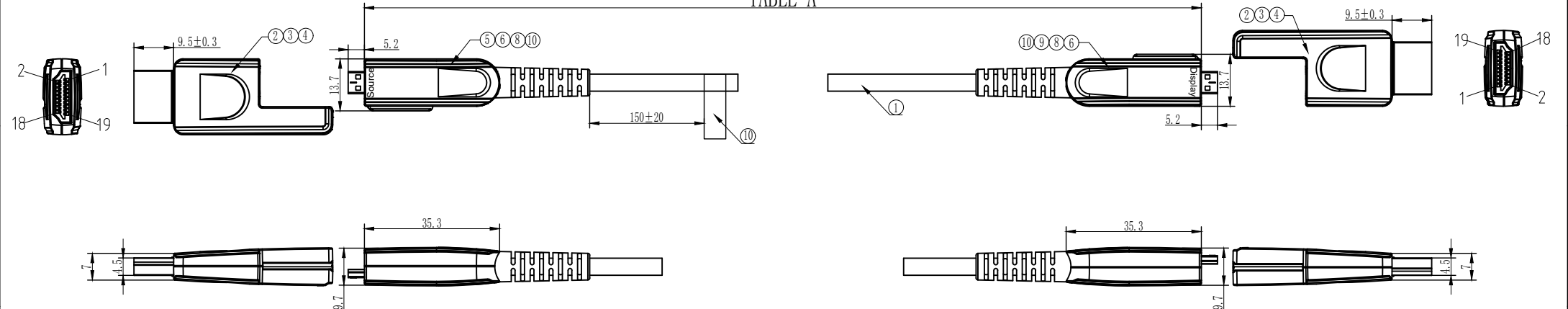


REV	DESCRIPTION	SIGNATURE	DATE
AO	ORIGIN	Xiong Chi	2023.06.05

TABLE A



NOTES:  
8K@60Hz  
Support 48Gbps

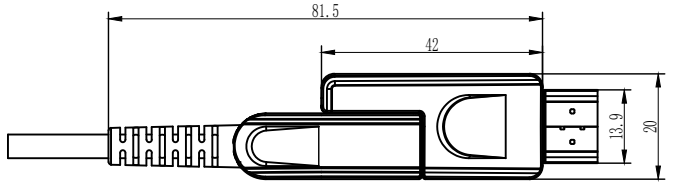
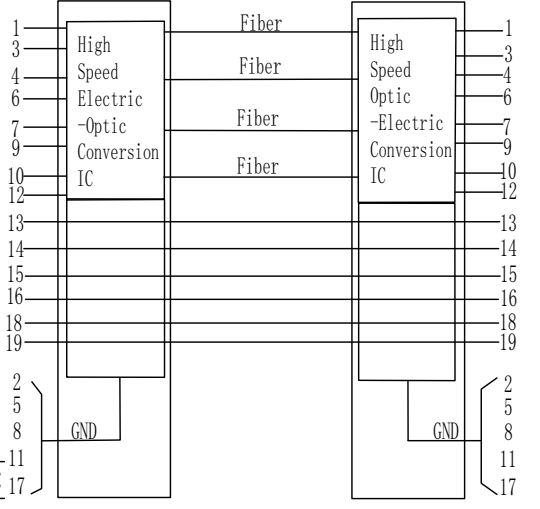
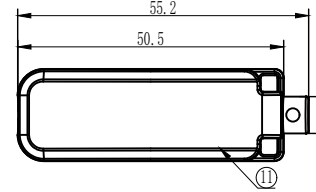
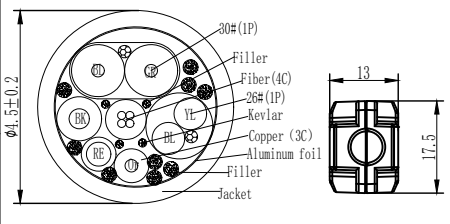


TABLE A

P/N	Model No	Customer P/N:	Length (mm)
	SHDC-9900-010		10000+/-200
	SHDC-9900-015		15000+/-250
	SHDC-9900-020		20000+/-300
	SHDC-9900-025		25000+/-350
	SHDC-9900-030		30000+/-400
	SHDC-9900-040		40000+/-500
	SHDC-9900-050		50000+/-1000
	SHDC-9900-060		60000+/-1000
	SHDC-9900-070		70000+/-1000
	SHDC-9900-090		90000+/-1000
	SHDC-9900-100		100000+/-1000

ITEM	SPECIFICATIONS	Q' TY	UNIT
11	Pull Cap	1	PCS
10	QR code	1	PCS
9	HDMI D Male Shell (Bottom) Black (Display)	1	PCS
8	HDMI D Male Shell (Upon) Black	2	PCS
7	HDMI D Male Shell (Bottom) Black (Source)	1	PCS
6	HDMI D Male PCBA (Display)	1	PCS
5	HDMI D Male PCBA (Source)	1	PCS
4	HDMI A Male Adapter Shell (Upon) Black	2	PCS
3	HDMI A Male Adapter Shell (Bottom) Black	2	PCS
2	HDMI Type D Mother-to-Type A male PCB converter board	2	PCS
1	HDMI AOC (4 Fiber+7 Copper) Black PVC OD:4.5±0.2MM	TABLE A	mm

TOLERANCES UNLESS OTHERWISE STATED

X. = ±1  
X.X = ±0.25  
X.XX = ±0.1

TOOLING DECIMALS ANGLES

X. = ±0.3 ±1°  
X.X = ±0.2 ±0.5°  
X.XX = ±0.1 ±0.5°

**E-Like Industrial (Hong Kong) Limited**

TYPE: Detachable HDMI 2.1 D-D Active Optical Cable

DRAW: PART NO: SHDC-9900-XXX-128/129

CKD: CUSTOMER: UNIT:mm

APP: DWG NO: REV:AO

SHEET:1/1 DATE: 2023.06.05