

REV	DESCRIPTION	SIGNATURE	DATE
A0	ORIGIN	Xiong Chi	2023.06.05

TABLE A

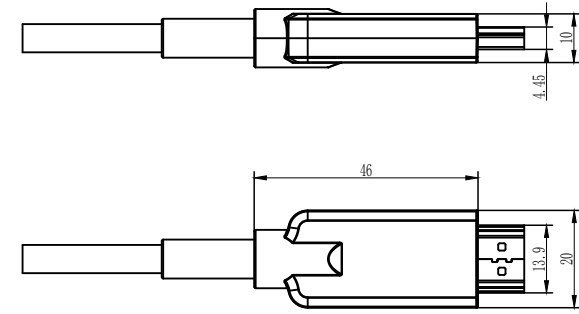
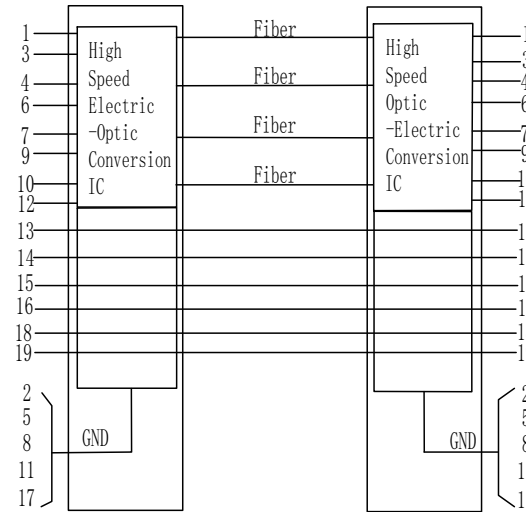
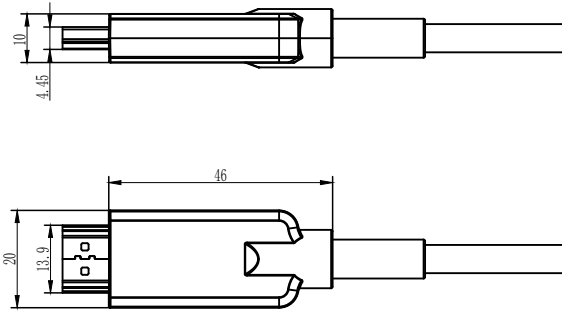
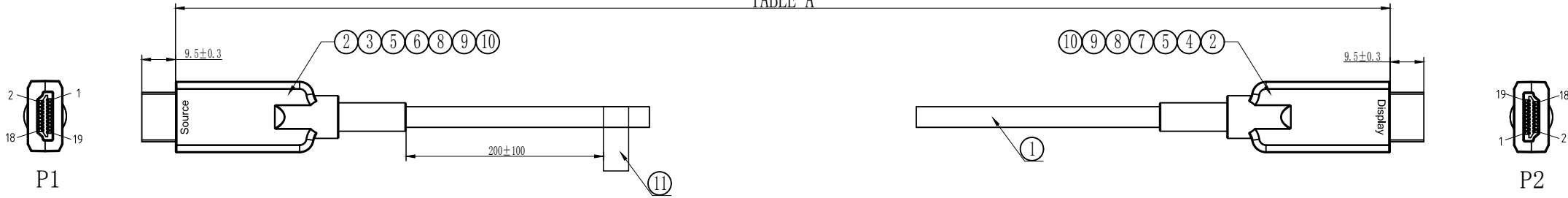
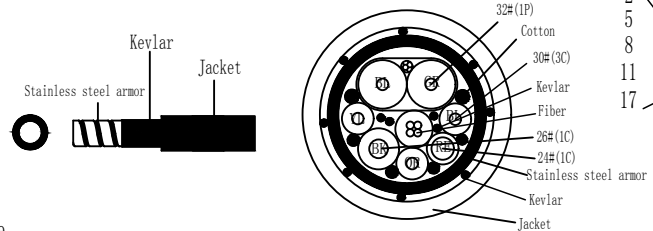


TABLE A

P/N	Model No	Customer P/N:	Length(mm)
	SAHC-9860-010		10000+/-200
	SAHC-9860-015		15000+/-250
	SAHC-9860-020		20000+/-300
	SAHC-9860-025		25000+/-350
	SAHC-9860-030		30000+/-400
	SAHC-9860-040		40000+/-500
	SAHC-9860-050		50000+/-1000
	SAHC-9860-060		60000+/-1000
	SAHC-9860-070		70000+/-1000
	SAHC-9860-080		80000+/-1000
	SAHC-9860-090		90000+/-1000
	SAHC-9860-100		100000+/-1000

NOTES:
 8K@60Hz
 Support 48Gbps
 The material meets the requirements of RoHS



ITEM	SPECIFICATIONS	Q'TY	UNIT
11	QR Code	1	PCS
10	SR Black	2	PCS
9	Screw	4	PCS
8	Clip	2	PCS
7	HDMI A male Shell(bottom) Black(Display)	1	PCS
6	HDMI A male Shell(bottom) Black(Source)	1	PCS
5	HDMI A male Shell(Upon) Black	2	PCS
4	HDMI A PCBA (Display)	1	PCS
3	HDMI A PCBA (Source)	1	PCS
2	HDMI A male Gold Plated	2	PCS
1	Armored HDMI Active Optical Cable (4 Fiber+7 Copper wire) black TPU OD:5.8MM	TABLE A	mm

	TOLERANCES UNLESS OTHERWISE STATED
	X. = ±1
	X.X = ±0.25
	TOOLING DECIMALS ANGLES
	X. ±0.3 ±1°
	X.X ±0.2 ±0.5°
X.XX ±0.1 ±0.5°	

E-Like Industrial (Hong Kong) Limited

TYPE: Armored HDMI 2.1 Active Optical Cable	
DRAW:	PART NO: SAHC-9860-XXX-406
CKD:	CUSTOMER: UNIT: mm
APP:	DWG NO: REV: A0
SHEET: 1/1	DATE: 2023.06.05