

The key control size with the "▲" symbol

| | | | |
|-----|-------------|-------------|------------|
| REV | DESCRIPTION | SIGNATURE | DATE |
| AO | ORIGIN | Zhou Hao Yu | 2023.12.01 |

TABLE A

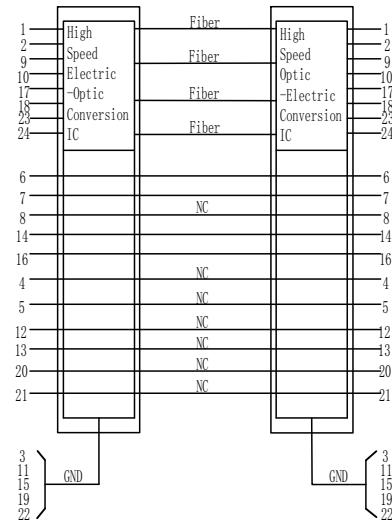
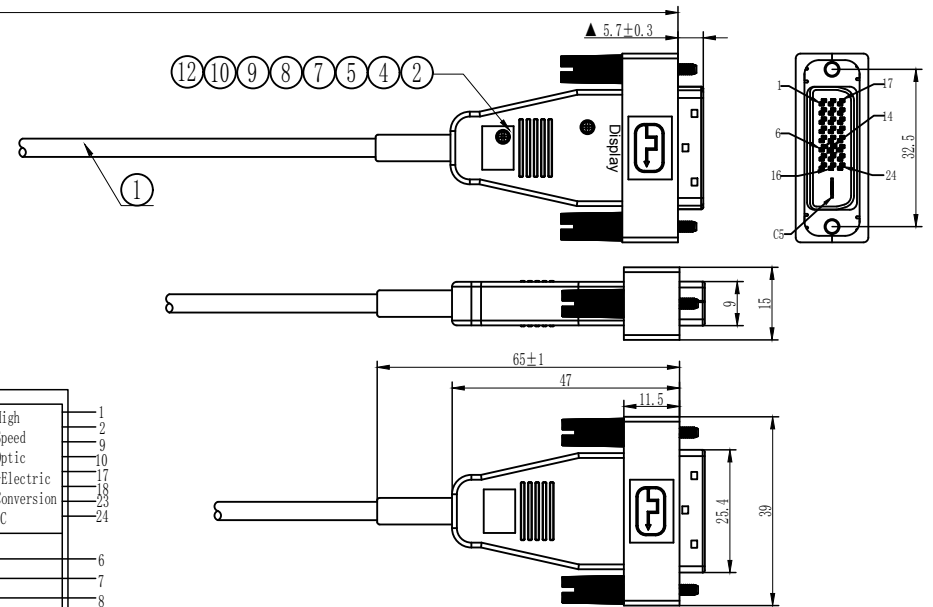
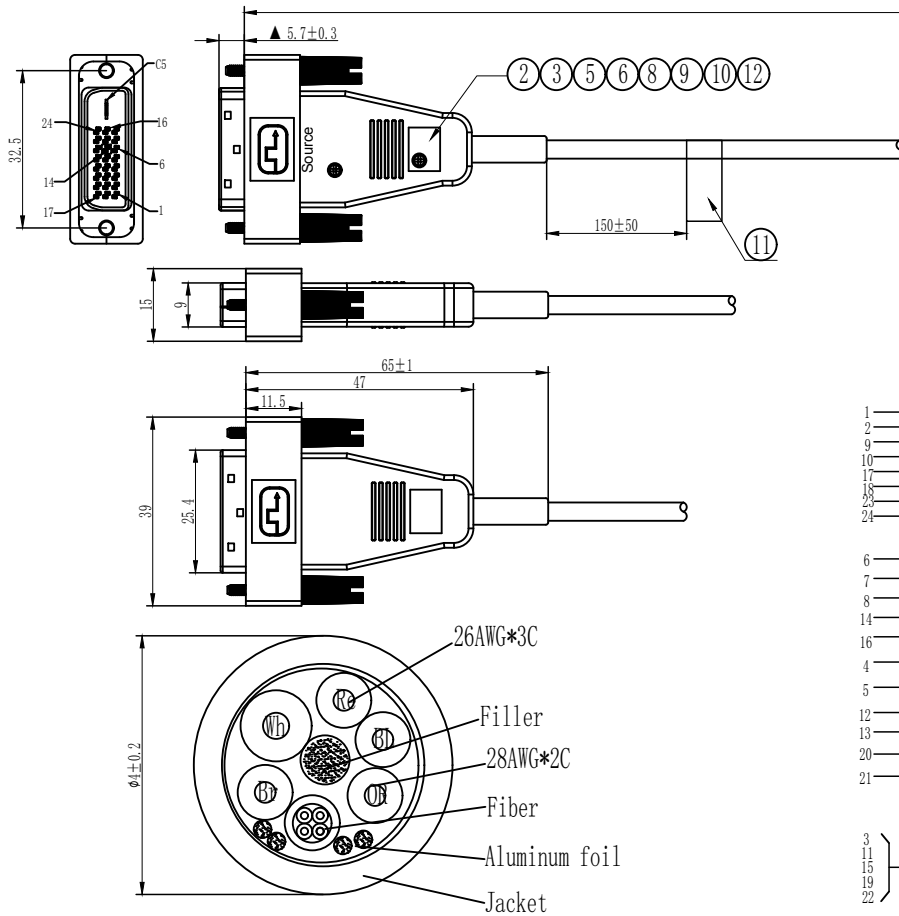


TABLE A

| P/N | Model No | Customer P/N: | Length (mm) |
|-----|---------------|---------------|---------------|
| | SDVC-8700-010 | | 10000+/-200 |
| | SDVC-8700-020 | | 20000+/-300 |
| | SDVC-8700-030 | | 30000+/-400 |
| | SDVC-8700-040 | | 40000+/-500 |
| | SDVC-8700-050 | | 50000+/-1000 |
| | SDVC-8700-060 | | 60000+/-1000 |
| | SDVC-8700-080 | | 80000+/-1000 |
| | SDVC-8700-100 | | 100000+/-1000 |

| | | | |
|------|---|---------|------------|
| 12 | Screw (6*6.74+2.4*10+2.4*6) | 4 | PCS |
| 11 | QR code | 1 | PCS |
| 10 | SR black | 2 | PCS |
| 9 | Clip | 2 | PCS |
| 8 | Screw | 8 | PCS |
| 7 | DVI A Male Shell (Bottom) black (Display) | 1 | PCS |
| 6 | DVI A Male Shell (Bottom) black (Source) | 1 | PCS |
| 5 | DVI A Male Shell (Upper) black | 2 | PCS |
| 4 | DVI A PCBA (Display) | 1 | PCS |
| 3 | DVI A PCBA (Source) | 1 | PCS |
| 2 | DVI A Male (24+1) Gold Plated | 2 | PCS |
| 1 | DVI AOC (4 Fiber+5 copper) black PVC OD:4.0MM | TABLE A | mm |
| ITEM | SPECIFICATIONS | | Q' TY UNIT |

| | |
|------------------------------------|-----------|
| | |
| TOLERANCES UNLESS OTHERWISE STATED | |
| X. | =±1 |
| X.X | =±0.25 |
| X.XX | =±0.1 |
| TOOLING | |
| DECIMALS ANGLES | |
| X. | ±0.3±1° |
| X.X | ±0.2±0.5° |
| X.XX | ±0.1±0.5° |

E-Like Industrial (Hong Kong) Limited

TYPE: DVI-DVI Active Optical Cable

| | |
|------------|----------------------------|
| DRAW: | PART NO: SDVC-8700-XXX-351 |
| CKD: | CUSTOMER: |
| APP: | DWG NO: |
| SHEET: 1/1 | DATE: 2023.12.01 |