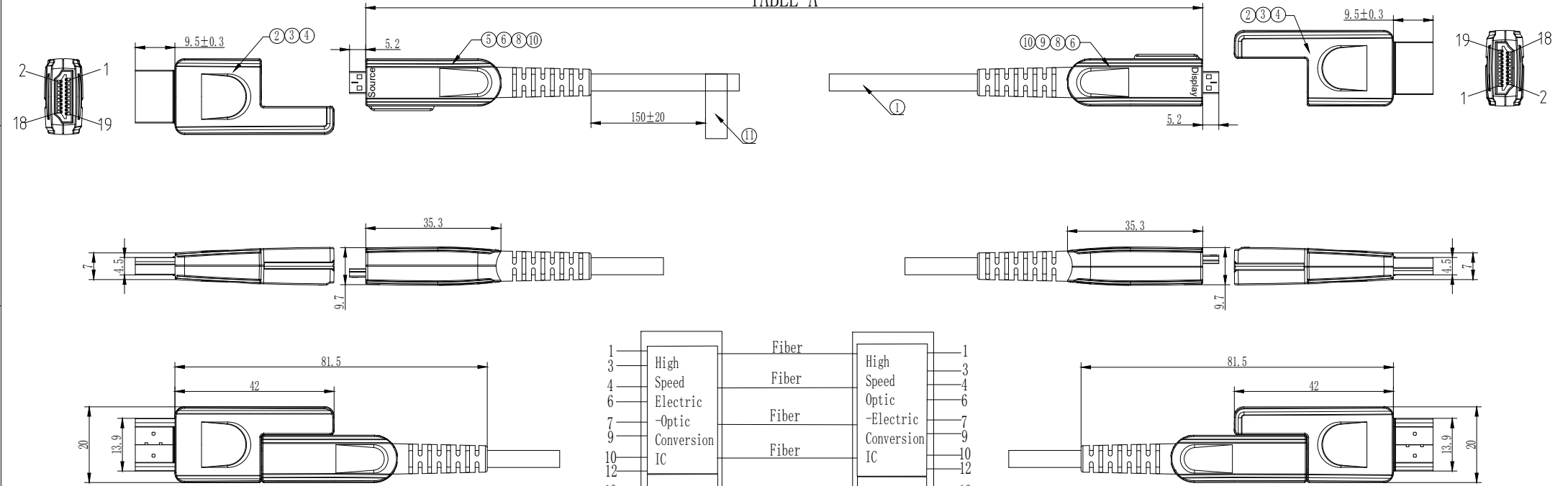


REV	DESCRIPTION	SIGNATURE	DATE
A0	ORIGIN	Xiong Chi	2023.06.05

TABLE A



NOTES:
 4K@60Hz
 Support 18Gbps
 The material meets the requirements of RoHS

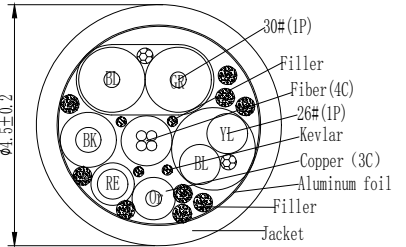


TABLE A

P/N	Model No	Customer P/N:	Length (mm)
	SHDC-8800-010		10000+/-200
	SHDC-8800-015		15000+/-250
	SHDC-8800-020		20000+/-300
	SHDC-8800-025		25000+/-350
	SHDC-8800-030		30000+/-400
	SHDC-8800-040		40000+/-500
	SHDC-8800-050		50000+/-1000
	SHDC-8800-060		60000+/-1000
	SHDC-8800-070		70000+/-1000
	SHDC-8800-090		90000+/-1000
	SHDC-8800-100		100000+/-1000

ITEM	SPECIFICATIONS	Q'TY	UNIT
10	QR code	1	PCS
9	HDMI D Male Shell(Bottom)Black(Display)	1	PCS
8	HDMI D Male Shell(Upon) Black	2	PCS
7	HDMI D Male Shell(Bottom)Black(Source)	1	PCS
6	HDMI D Male PCBA (Display)	1	PCS
5	HDMI D Male PCBA (Source)	1	PCS
4	HDMI A Male Adapter Shell(Upon)Black	2	PCS
3	HDMI A Male Adapter Shell(Bottom)Black	2	PCS
2	HDMI Type D Mother-to-Type A male PCB converter board	2	PCS
1	HDMI AOC (4 Fiber+7 Copper) Black PVC OD:4.5±0.2MM	TABLE A	mm

TOLERANCES UNLESS OTHERWISE STATED

X. = ±1
 X.X = ±0.25
 X.X X = ±0.1

TOOLING DECIMALS ANGLES

X. = ±0.3 ±1°
 X.X = ±0.2 ±0.5°
 X.XX = ±0.1 ±0.5°

E-Like Industrial (Hong Kong) Limited

TYPE: Detachable HDMI 2.0 D-D Active Optical Cable

DRAW: PART NO: SHDC-8800-XXX-128/129

CKD: CUSTOMER: UNIT:mm

APP: DWG NO: REV:A0

SHELL:1/1 DATE: 2023.06.05